

# DTSU666 Three Phase DIN-Rail Meter



LCD Type

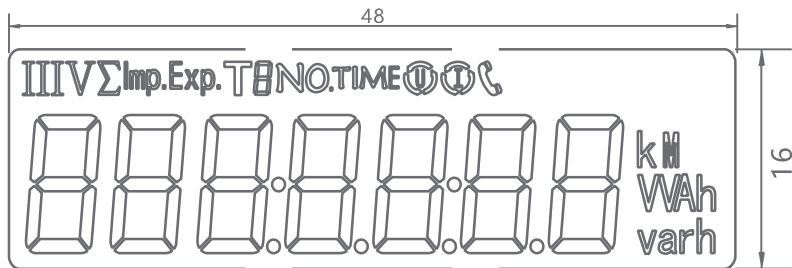
## Function

- LCD Display
- Bi-Direction Measurement
- DIN-Rail Installation

## Features

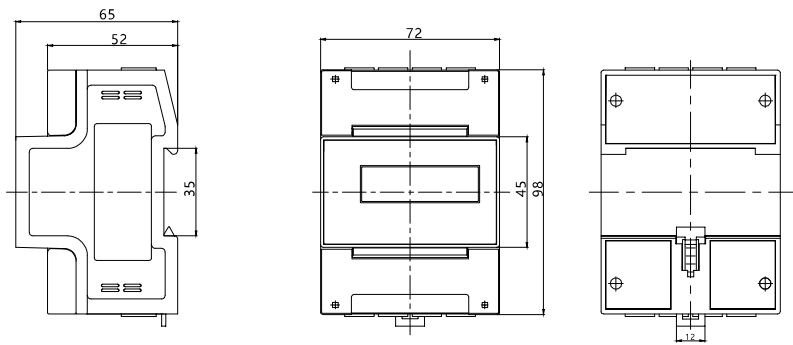


## LCD Indication



Units: mm

## Meter Dimensions



Units: mm

## Specifications

### Measurement

- Compliance with IEC62052-11 IEC62053-21
- Connection type: 3P4W
- Accuracy: Class 1.0 for active

### Voltage

- Nominal voltage (Un):  $3 \times 220/380V$ ,  
 $3 \times 57.7/100V$
- Operating range:  $0.7U_n \sim 1.2U_n$
- Power consumption:  $\leq 1W$ , 5VA

### Current

- CT: 1.5(6)A
- DC: 5(80)A

### Frequency

- 50Hz or 60Hz

### LCD Display

- 7 characters of 7 segment display
- Digital size: 5.3mm  $\times$  2.8mm

### LED Display

- Number of flashes per kWh

### Measured Values

- Total kWh
- Total kvarh
- Instantaneous kW, kvar
- Instantaneous Irms, Vrms, frequency, power factor

### Communications

- RS485
- Protocol: Modbus and DL/T

### Environmental

- Operating range limit:  $-40^{\circ}C$  to  $+75^{\circ}C$
- Storage range limit:  $-40^{\circ}C$  to  $+85^{\circ}C$
- Relative humidity:  $\leq 95\%RH$
- Ingress protection: IP54

### Dimensions and Weight

- Dimensions: 98mm  $\times$  65mm  $\times$  72mm
- Weight: 0.4 kg (Approx.)