

SP-EVCP-T

Single Phase Voltage Monitoring and Protection Unit

Are you installing electric vehicle charge points onto Single Phase PME infrastructures?

The **SP-EVCP-T** from matt:e is a simple single connection unit, which allows for the connection of 1 x 32amp single phase charge point to the existing PME earthing facility.

The unit incorporates our own unique monitoring device which disconnects all poles including CPC in the event of a fault.

The matt:e **SP-EVCP-T** technology does not require earth rods or measuring electrodes to function correctly.

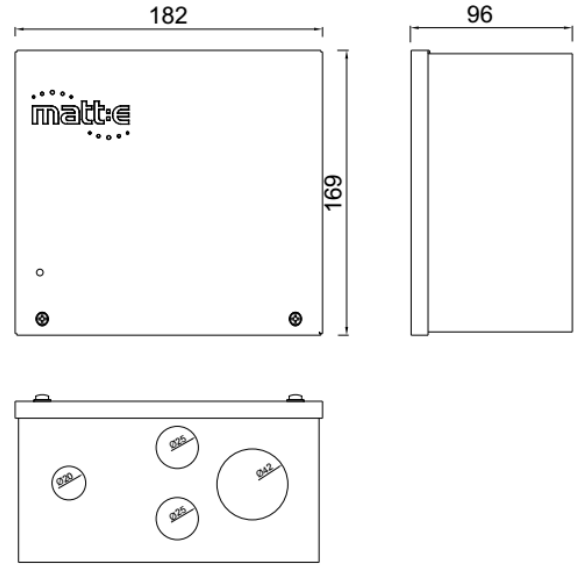
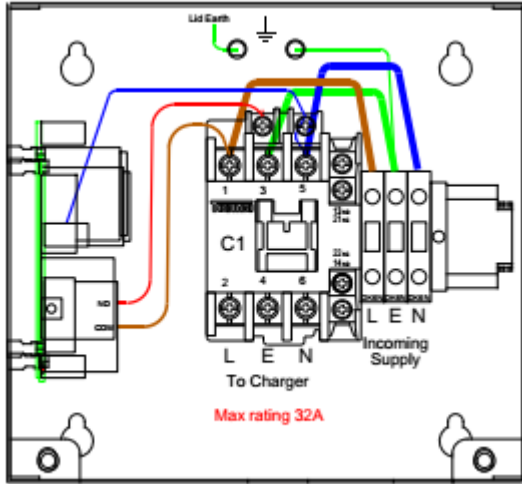


*UNIT ALSO AVAILABLE IN WHITE

Product Features

- Built in matt:e technology
- BS; 7671 18th edition compliant
- **NO EARTH ELECTRODES REQUIRED**
- Suitable for 1 x 32amp load
- Standard 3 Year parts warranty
- Simple wire in wire out connection
- Standard mild steel IP2X enclosure
- Designed and Built in the UK

...Simplifying EV connection



Description	Single Phase Voltage Monitoring and Protection Unit
Input Volts	Nominal input voltage Single Phase 230V 50Hz
Max Load	32 amps
Cable Entry Facility	Bottom, 2 x 20mm
Terminal Capacity	6.0mm ²
Dimensions (H x W x D)	169mm x 182mm x 111mm
Weight	Approximately 3kG
Enclosure	Mild Steel Powder Coated
Ingress Protection	IP2X
Warranty	The matt:e <i>SP-EVCP-T</i> is guaranteed for a period of 3 years from the date of purchase. This warranty is limited to the replacement of faulty components only.

...Simplifying EV connection